



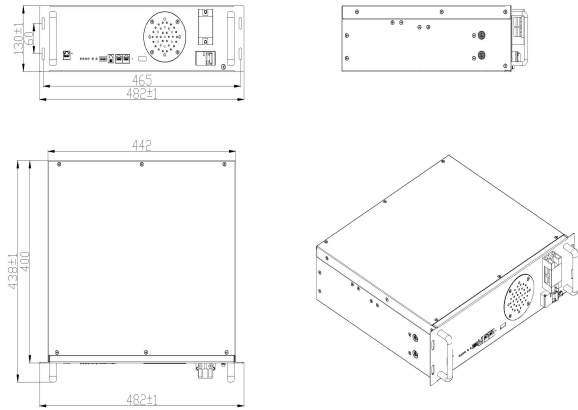
Lithium Battery Pack

▶ VT48100E-A1

-bH`][Ybh`]h Ji a `VUHf nZ]bhY[fUHx`k Jh `gY ZXYG][bYX`6 AG`
 k \ JW `Wub`VY`k [XY`nii gYX`]b`j Uf]ci g`hY`YwEa `UbX`YbYf[mi
 gHcfU[Y`gngHYa `gi W `Ug`]bXccf`X]gHf]Vi H]cb`gH]cbgZ
]bhY[fUHx`VUgY`gH]cbgZ YX[Y`gH]cbgZa]Wc!W`g`gH]cbgZ
 : HHL`Yei]da YbZ]X]gHf]Vi hY`dck Yf`gi dd`nZ]gH]cbVnF

▶ Key Features

- <][\ `ei U]mi@ D`W`g`
- <][\ `fUH`W Uf[Y#]gW Uf[Y`W ffYbh4 %\$5
- @b[`XYg][b`]Z`i d`tc`% Ž`mUfg4 `& `°C
- <][\ `9 Z]VYbWihVYk Yyb`W Uf[Y`UbX`X]gW Uf[Y
- AcXVi g# 5 B#GBAD`J &#GBAD`J` fE d]cbUL
- Ai `h`d`Y`dfchW]cb`a Yh cXg`VUgYX`cb`dUH]bhYX`6 AG
- -bH`][Ybh]Ub]h]h YZigc`i H]cb`



Specifications

ŃYa	%D`% G`
Bca]bU`7 UdU]m	%\$5 \ 4 \$`"87 Ž) °C
Bca]bU`Jc`H] Y	(, `J87
F UHX`7 \ Uf[Y`Jc`H] Y) (` \$`J
AU `7 cb]bi ci g`7 \ Uf[Y7 i ffYbh	%\$5 4 & `°C
8]gW Uf[Y7 i HcZZ]c`H] Y	(\$ `) `J`
AU `7 cb]bi ci g`8]gW Uf[Y7 i ffYbh	%\$5 4 & `°C
HYa dYfUhi fY`FUb[Y`cZ7 \ Uf[Y	\$`Cr * `°C
HYa dYfUhi fY`FUb[Y`cZ8]gW Uf[Y	!&\$`Cr * `°C
5 ``ck YX`< i a]X]hmFUb[Y	@ `) i `F<
K Y][\ h	5 ddfcl ``" - `_[`
Ń`@/j Y	Ń`&\$

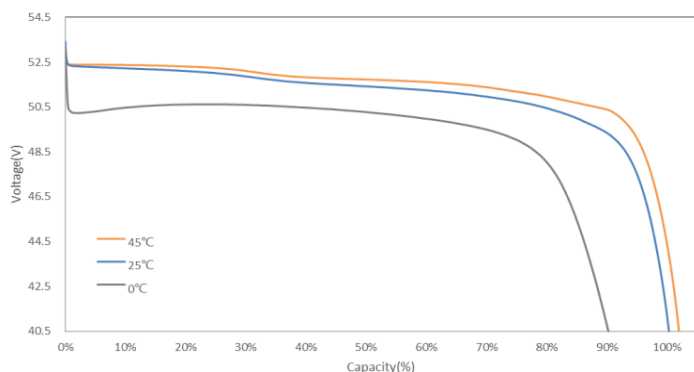
Discharge data with constant current/25°C

Time/h \ Current/A	0.1C	0.2C	0.3C	0.4C	0.5C	0.6C	0.8C	1C
End voltage /V	Hours							
46.5 V	9.43	4.60	3.05	2.30	1.67	1.37	0.88	0.68
45.0 V	9.77	4.78	3.20	2.33	1.82	1.53	1.10	0.87
43.5 V	10.00	4.88	3.28	2.43	1.93	1.57	1.18	0.94
42.0 V	10.18	5.00	3.35	2.46	1.98	1.65	1.22	0.97
40.5 V	10.30	5.15	3.40	2.54	2.00	1.67	1.24	1.00

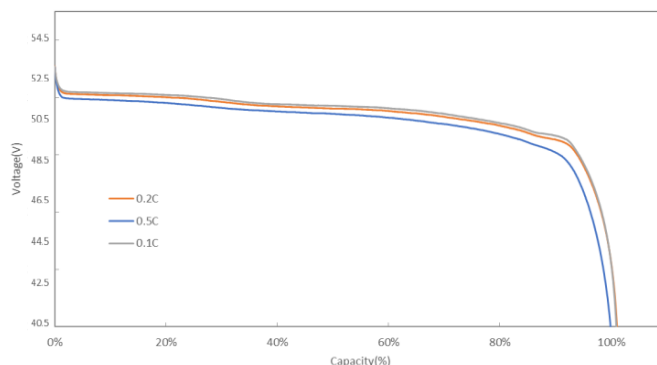
Discharge data with constant power/25°C

Time/h \ Power/W	480	960	1440	1920	2400	2880	3840	4400
End voltage /V	Hours							
46.5 V	9.42	4.59	3.04	2.29	1.66	1.36	0.87	0.79
45.0 V	9.75	4.76	3.18	2.31	1.80	1.51	1.08	0.84
43.5 V	9.97	4.85	3.25	2.40	1.90	1.54	1.15	0.88
42.0 V	10.14	4.96	3.31	2.42	1.94	1.61	1.18	0.92
40.5 V	10.26	5.11	3.36	2.50	1.96	1.63	1.20	0.94

Discharge Curves



Voltage vs. Discharge Capacity Percentage under Different Temperature



Voltage vs. Discharge Capacity Percentage with Different Current Rate

